

ITEM NO.	PartNo	PART NUMBER	DESCRIPTION	QTY.	ITEM NO.	PartNo	PART NUMBER	DESCRIPTION	QTY.
25		WATER TANK	W1390 74.5GAL	1	15	14619		ROOF VENT	1
24		WATER HEATER		1	13			OUTLET	120V 15A INTERIOR
23		WATER FILL		1	12			MOTORBASE	30 AMP
22		WASTE TANK	H488 32GAL.	2	11			LP TANKS W-TRAY	20#
21		TOILET	13794	1	10			LIGHT - FLUORESCENT	12" 12V
20		STAIRS-GN		1	8			FIRE EXTINGUISHER	
19		SINK SST 13.25 x 10.5 x 5		1	6	12451		CONVERTER - 12VDC	55 AMP
18		SHOWER NEO ANGLE	NA-34 x 34 NEO ANGLE	1	5			CABINET LAV OVERHEAD	
17		SEWER HOSE COMP.		1	4			CABINET LAV BASE GN3	
16		SCONCE LIGHT		1	3			CABINET - TOILET OVERHEAD	
					2			BREAKER BOX	30 AMP
					1			BATTERY BOX PLASTIC	BATTERY - 540 COLD CRANK

ALL LOCATIONS ARE NOMINAL UNLESS CRITICAL DIMENSIONS ARE SPECIFICALLY NOTED

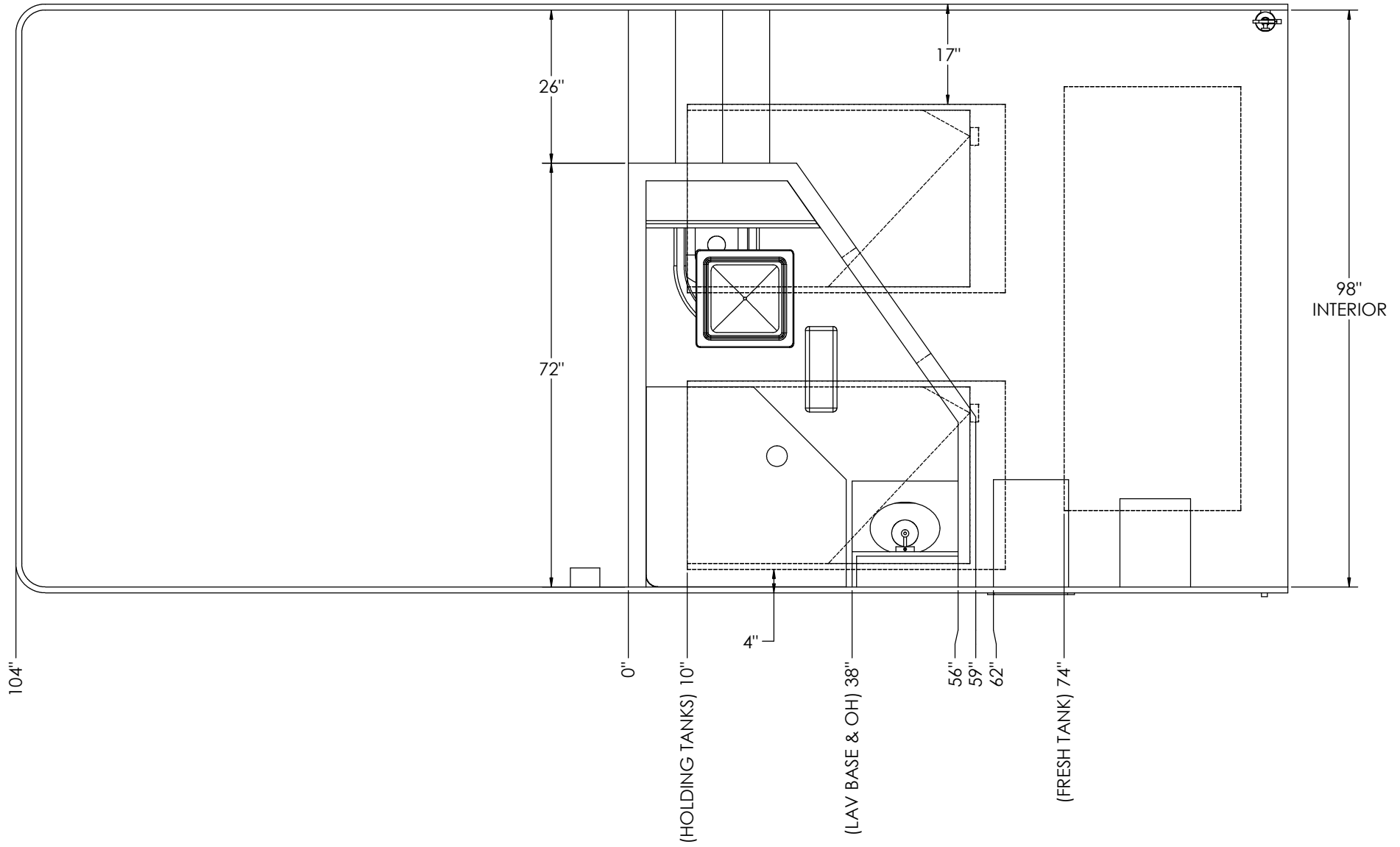
PROPRIETARY AND CONFIDENTIAL: THE INFORMATION CONTAINED IN THIS DRAWING IS THE SOLE PROPERTY OF THE ALUMINUM TRAILER COMPANY. ANY REPRODUCTION IN PART OR AS A WHOLE WITHOUT THE WRITTEN PERMISSION OF THE ALUMINUM TRAILER COMPANY IS PROHIBITED.



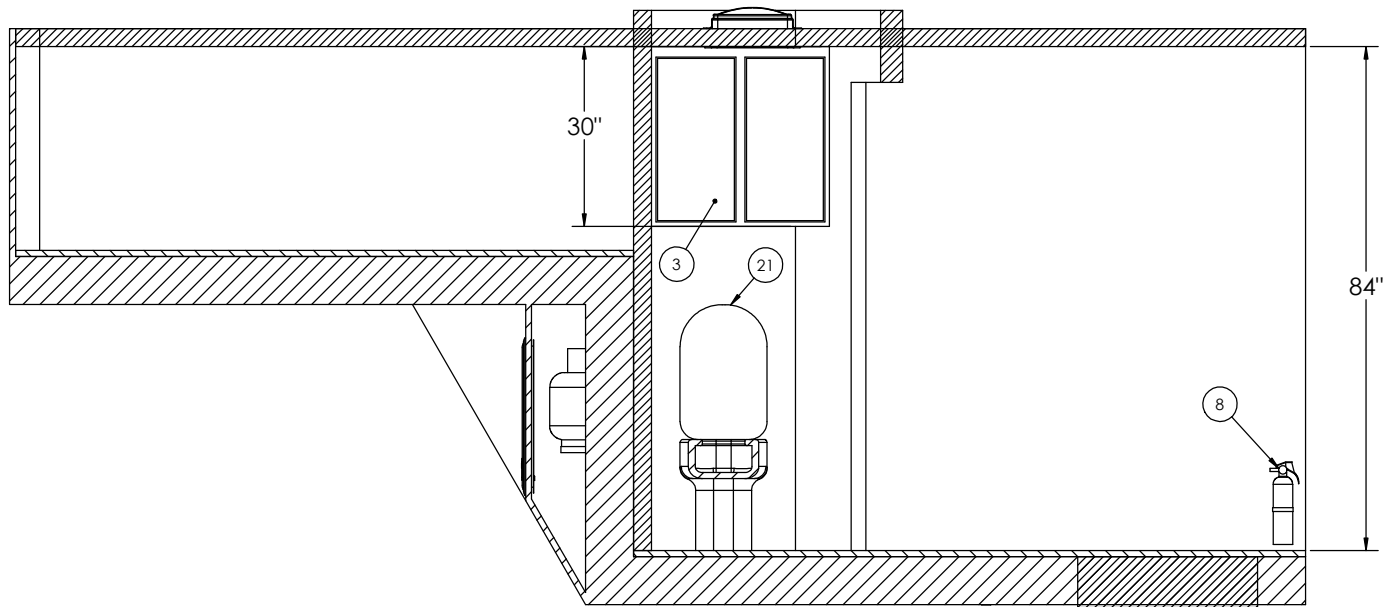
TITLE: GN3 WALK AROUND BATH PKG

DRAWN BY: JRS DATE: 1.27.11 VIN # _____ REV. _____
 FILE NAME: GN3
 SCALE: 1:14 DATE PRINTED: 4/8/2011 SHEET 1 OF 5

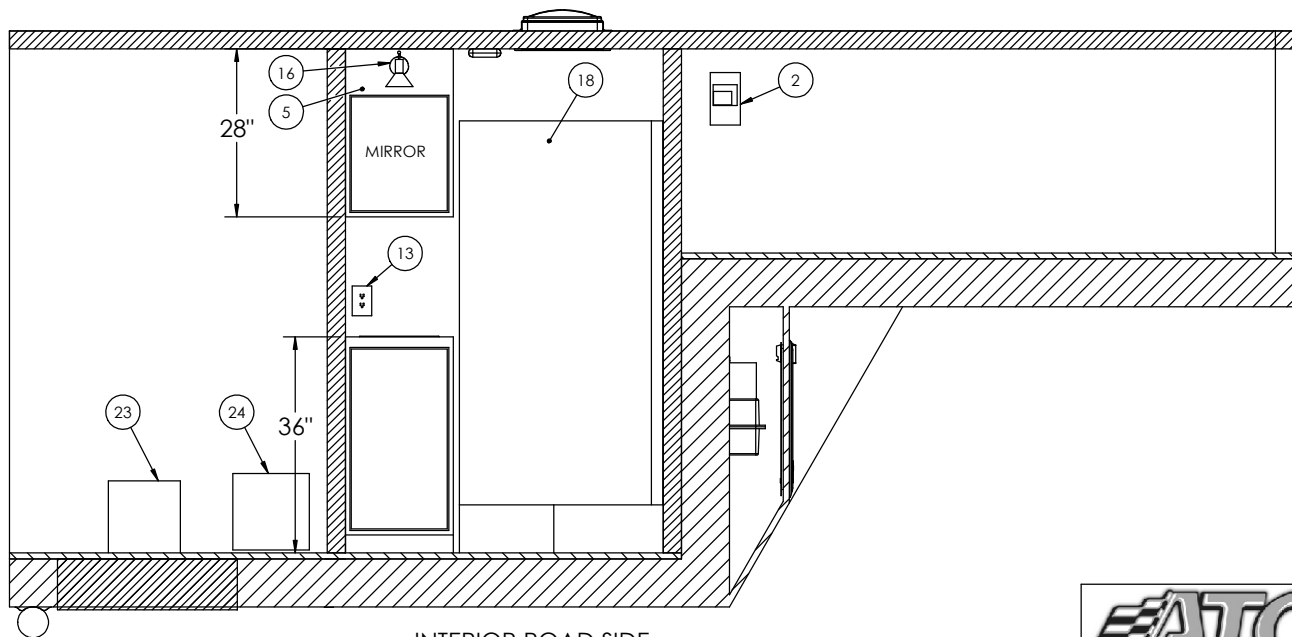
REV.	DESCRIPTION	DATE	APPROVED
	REVISION TABLE		



TITLE: GN3 WALK AROUND BATH PKG			
DRAWN BY: JRS	DATE: 1.27.11	VIN #	REV.
FILE NAME: GN3			
SCALE: 1:12	DATE PRINTED: 4/8/2011	SHEET 2 OF 5	



INTERIOR CURB SIDE
SECTION A-A

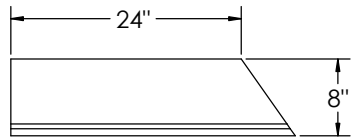


INTERIOR ROAD SIDE
SECTION B-B

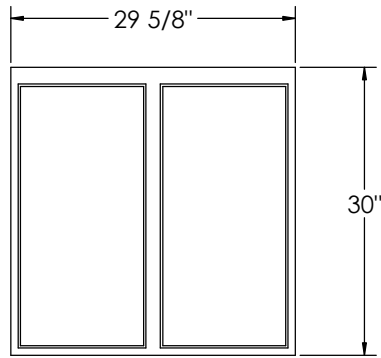
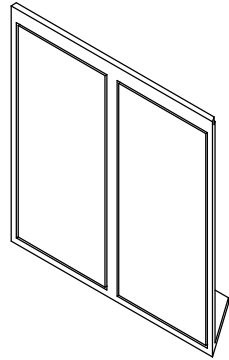


TITLE: GN3 WALK AROUND BATH PKG			
DRAWN BY: JRS	DATE: 1.27.11	VIN #	REV.
FILE NAME: GN3			
SCALE:1:16	DATE PRINTED: 4/8/2011	SHEET 3 OF 5	

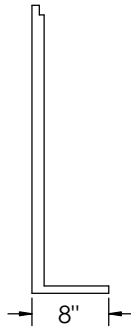
TOILET OVERHEAD



TOP VIEW

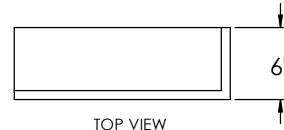


FRONT VIEW

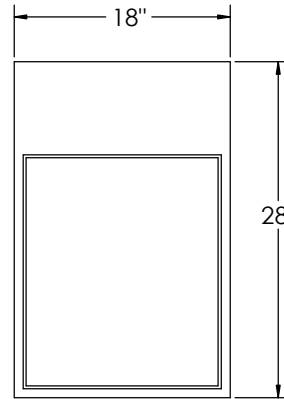
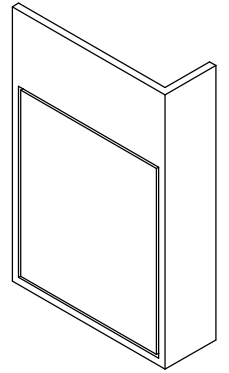


SIDE VIEW

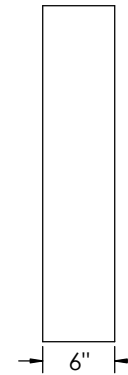
LAV OVERHEAD



TOP VIEW

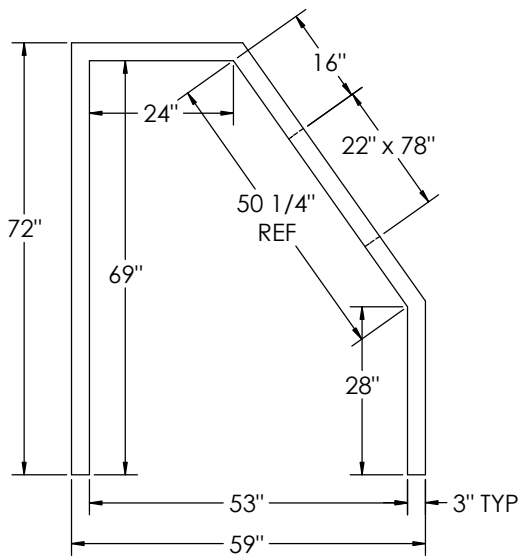


FRONT VIEW

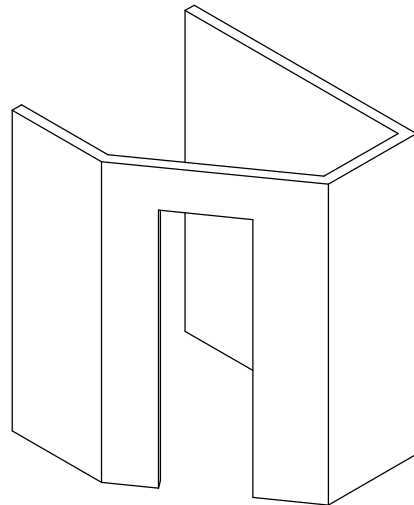


SIDE VIEW

PARTITION WALL



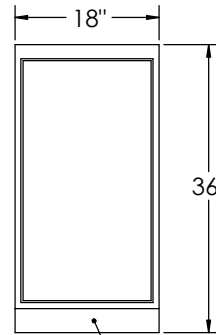
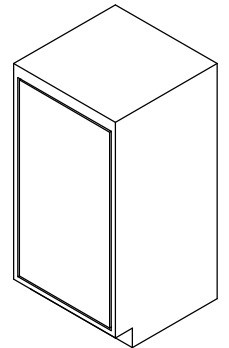
TOP VIEW



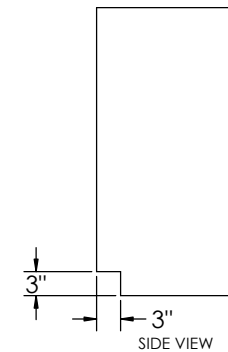
LAV BASE



TOP VIEW



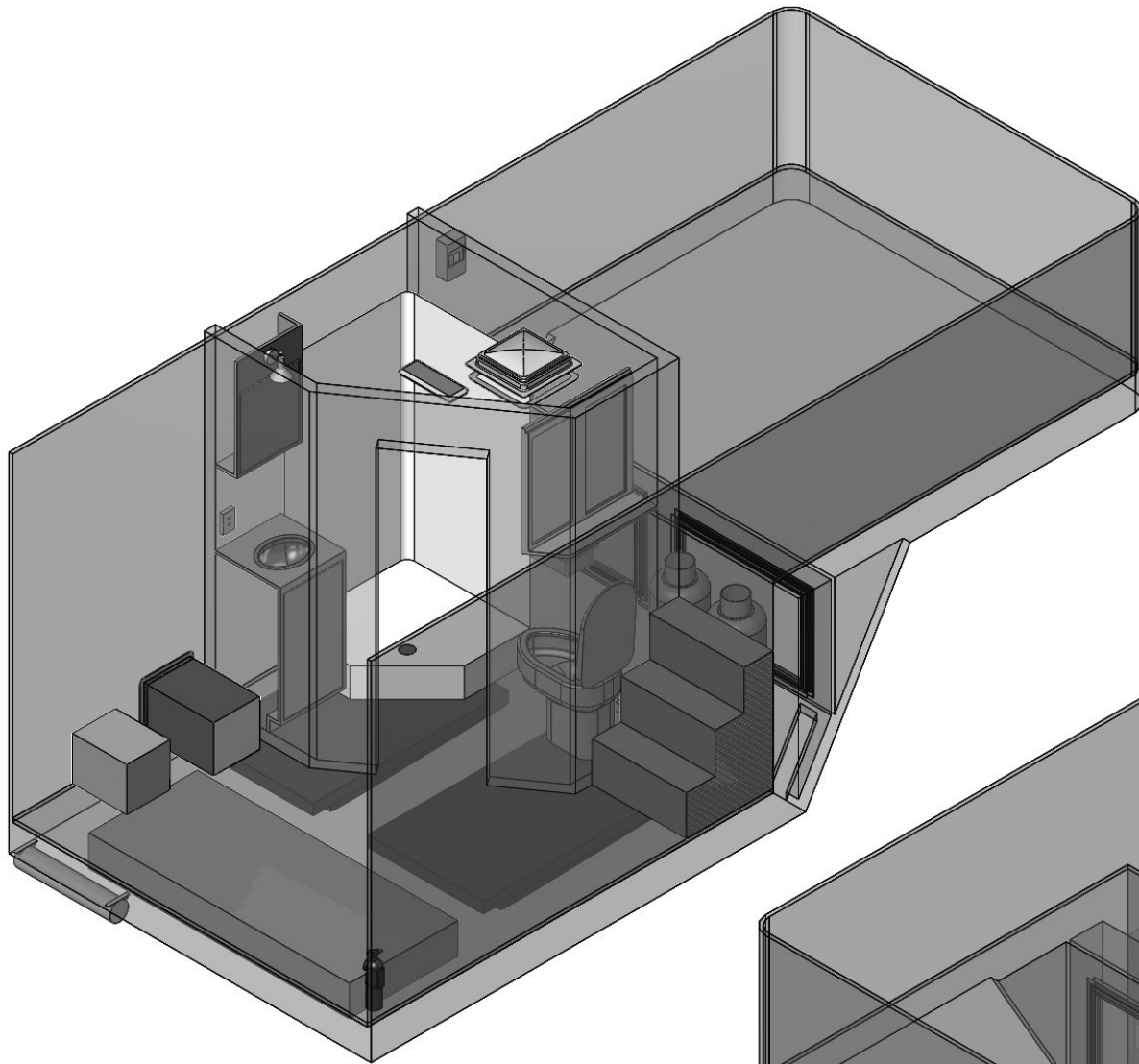
FRONT VIEW



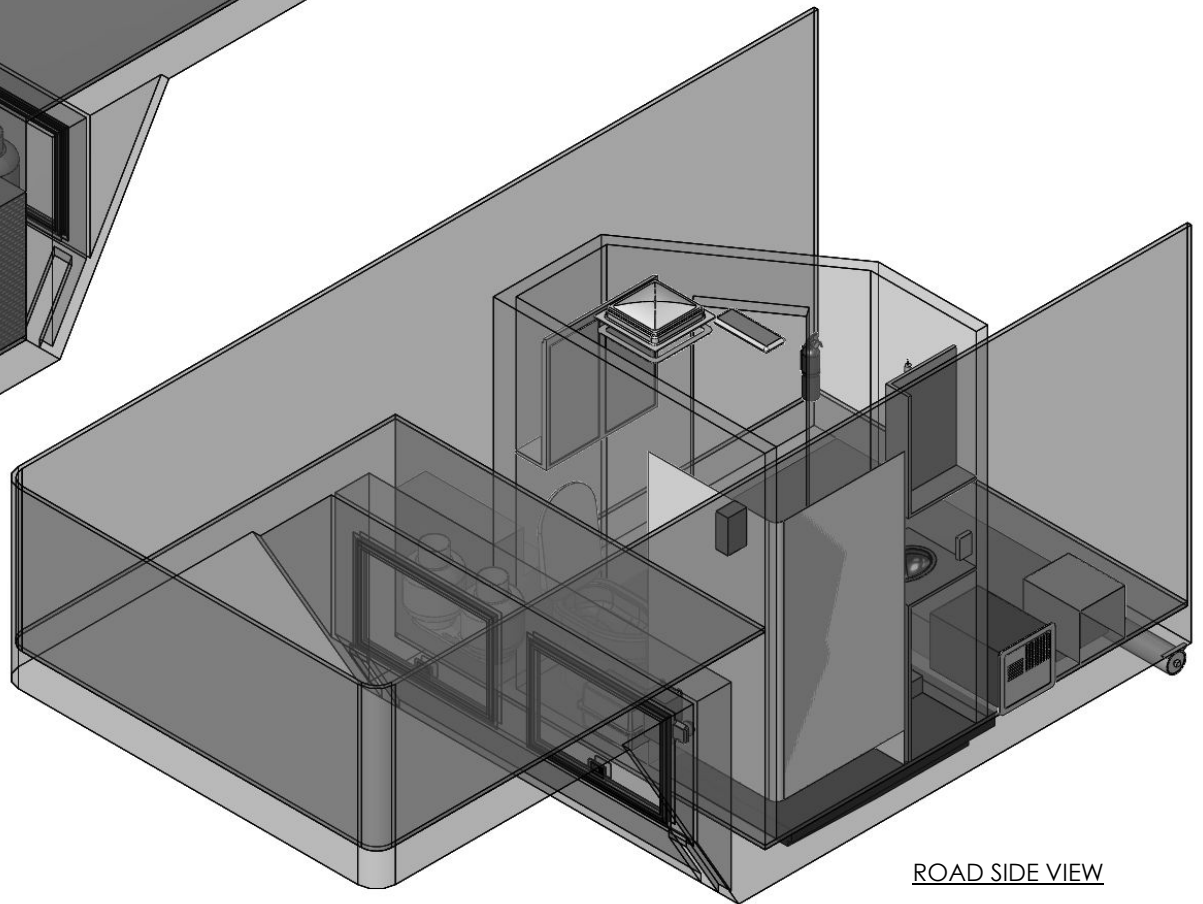
SIDE VIEW



TITLE: GN3 WALK AROUND BATH PKG			
DRAWN BY: JRS	DATE: 1.27.11	VIN #	REV.
FILE NAME: CABINET - TOILET OVERHEAD			
SCALE: 1:14	DATE PRINTED: 4/8/2011	SHEET 4 OF 5	



CURB SIDE VIEW



ROAD SIDE VIEW



TITLE: GN3 WALK AROUND BATH PKG			
DRAWN BY: JRS	DATE: 1.27.11	VIN #	REV.
FILE NAME: GN3			
SCALE:1:18	DATE PRINTED: 4/8/2011	SHEET 5 OF 5	